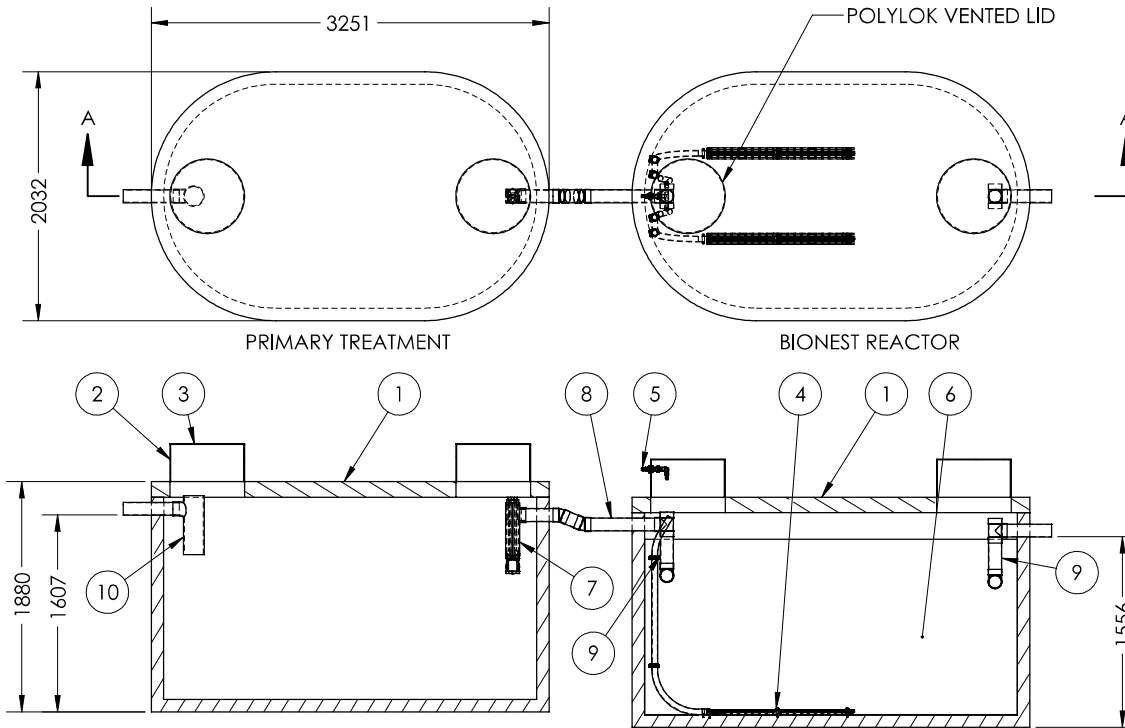


All trademarks shown are property of Bionest Technologies inc. and used under license.
 © 2023 Bionest Technologies Inc.
 This drawing is made available for information purposes only. Do not alter.



SECTION VIEW A-A
 BTT-3400-WN

NO.	QTY.	DESCRIPTION
1	2	WINONA TANK MODEL 68T-PL20
2	4	RISER 610mm [24"], MAX. HEIGHT 610mm [24"]
3	4	RISER LID 610mm [24"] (ACCESSIBLE AT ALL TIME)
4	2	FLEXIBLE AIR DIFFUSEUR (1 m)
5	1	MANIFOLD 2 OUTLETS
6	20	BIONEST MEDIA BAG
7	1	POLYLOK PL-122 EFFLUENT FILTER
8	1	FLOW CONNECTING PIPE
9	2	INLET/OUTLET DEVICE
10	1	PRIMARY TREATMENT TANK INLET DEVICE 4x6
11	1	HIBLOW HP-200 AIR PUMP (NOT SHOWN)



CHANTIER

NOTE: BIONEST® COMPONENTS MUST BE INSTALLED BY ICS INC., THE ONLY AUTHORIZED BIONEST INSTALLER. FOR FURTHER INFORMATIONS PLEASE CONTACT YOUR REGIONAL ADVISER AT 1 866 538-5662.

UNLESS OTHERWISE STATED, THIS DOCUMENT MUST NOT BE USED FOR CONSTRUCTION, FABRICATION OR INSTALLATION.

#	DATE: (AAAA-MM-JJ)	ISSUES AND REVIEWS	BY:
3	2023-04-26	CERTIFICATION	JT
2	2021-01-29	CERTIFICATION	HL
1	2019-06-14	CERTIFICATION	MC

BIONEST
 Wastewater Treatment Solutions™
 55, 12e Street, P.O. Box 10070
 Shawinigan, Quebec, Canada, G9T 5K7
 Tel: 819 538-5662
 Fax: 819 538-5707
 www.bionest.ca

PROJECT: ZENITH
 ONTARIO MODELS

DRAWING NAME: CONFIGURATION FOR WINONA TANKS

FILE NAME: Winona - 3680-600

PROJECT #: CAN/BNQ 3680-600

PREPARED BY:

SCALE: 1:40 FORMAT: A3-L SHEET: 3 / 11

SEAL: