

Winona Concrete & Pipe Products Ltd Grimsby Ontario 905-945-8515

5,700 Waterloo Biofilter Tank

Actual Working Capacity: 6,130 Litres
 Maximum Basket Size: 1525mm Dia x 1275mm H
 60" Dia x 50" H
 4.65 Cubic Metres
 Daily Flow Capacity: 2,501 -> 3000 LPD

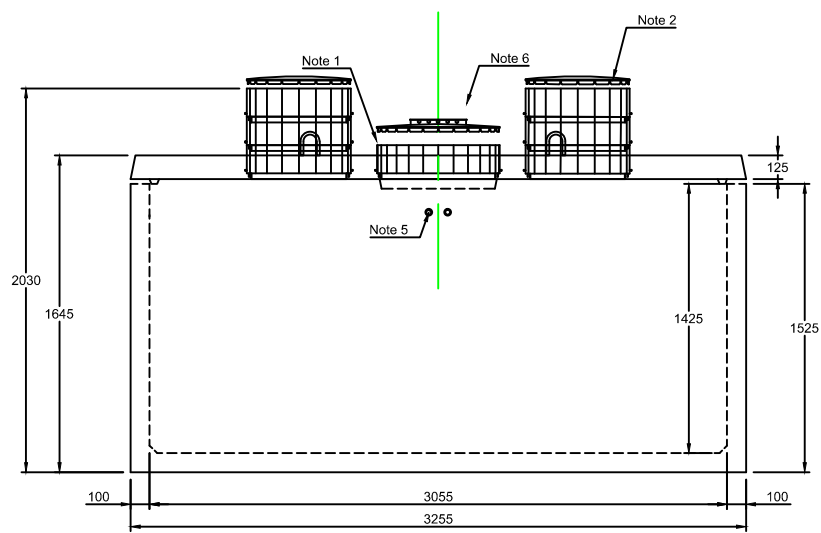
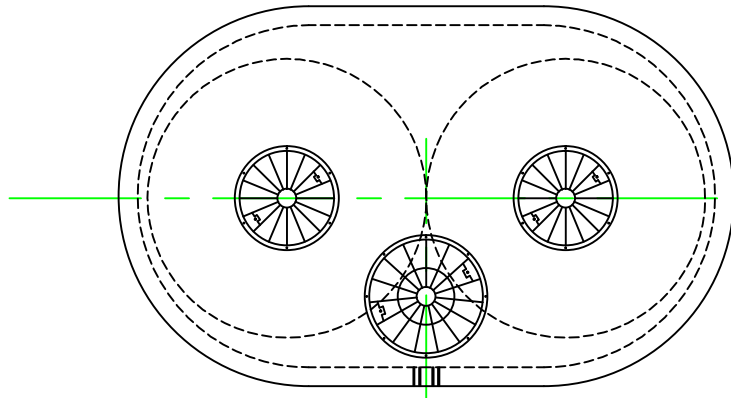
Construction Details

Concrete: Min. 35 MPA @ 28 Days 5 to 8% Air Entrainment
 Reinforcing: 10M bars @ 350 mm centres each way in floor and roof.
 10M bars @ 600 mm centres vertically in walls
 10M bars @ 400 mm centres horizontally in walls
 Minimum cover over reinforcing steel - 25mm

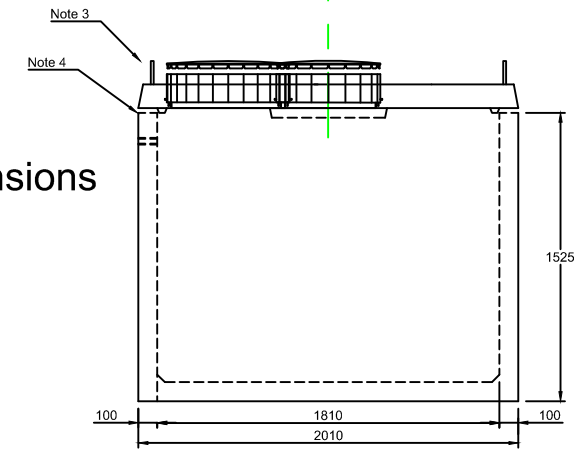
Weight: 5,625 KG

NOTES

1. Cast in access riser 600mm I.D. Polylok
2. Cast in access riser 500mm I.D. Polylok
3. Lifting points four places
4. Fibrous Mastic Sealant
5. Cast in 1" PVC Fittings
6. Carbon Vented Lid



Excavation Dimensions
 Length: 12`
 Width: 8`
 Depth: 6'8"



Designed Loading 1 Metre Burial over top slab in firm soil for non-vehicular traffic